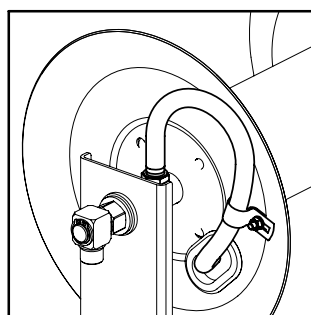
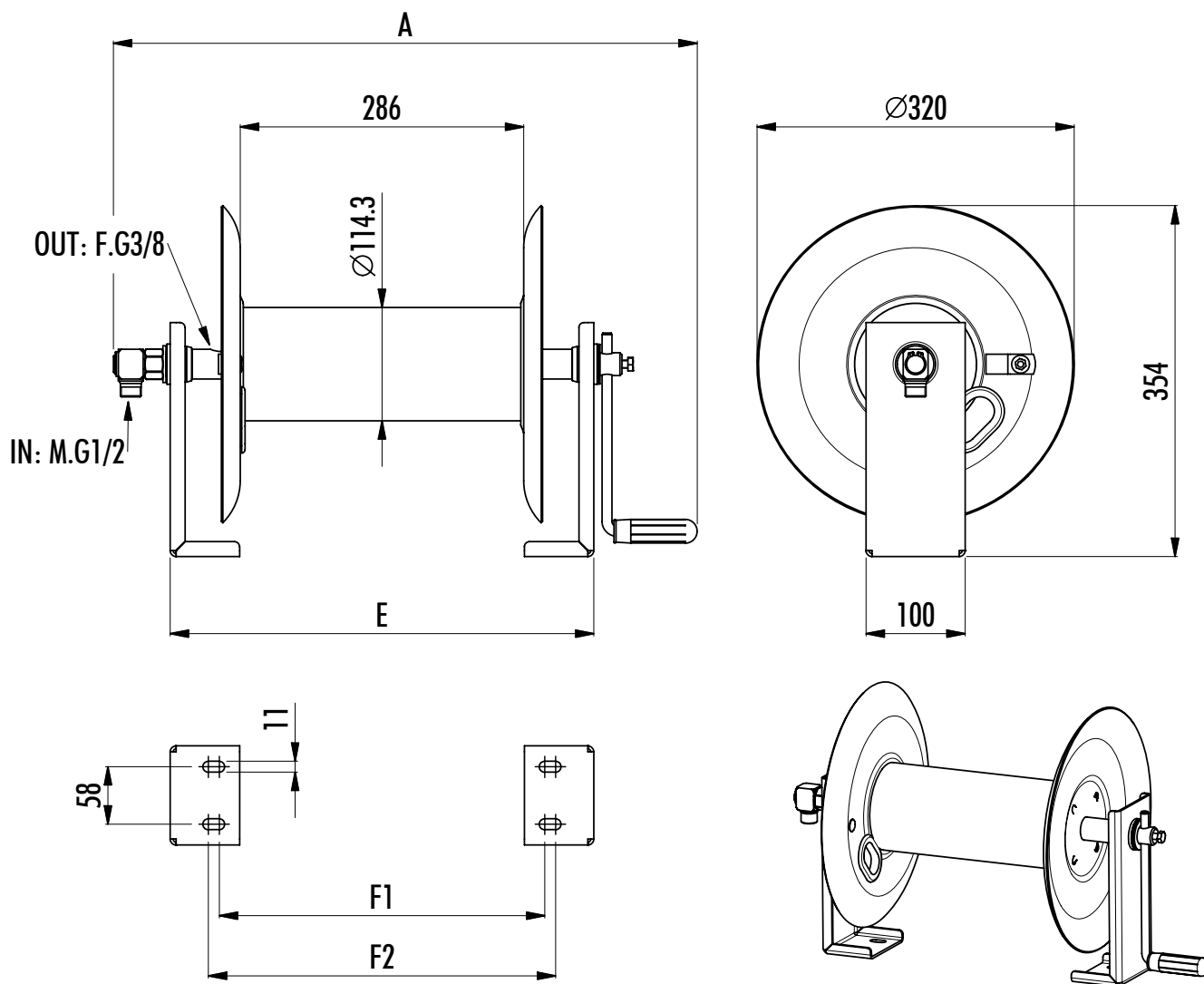


# MAGNUM BABY 2000

VERSIONE : 01



Montaggio tubo facilitato  
Easily installable hose



Codice Code	I N O X	F E	BAR	Lunghezza e diametro tubo consigliati Recommended hose length and diameter	Dimensioni Dimensions				Metri di tubo riavvolgibili calcolati su diversi diametri esterni in pollici e millimetri Metres of hose, which can be rewinded, calculated on different external diameters in inches and millimeters								Peso Weight			
					A	E	F1	F2	$\varnothing 1/4$		$\varnothing 5/16$		$\varnothing 3/8$		$\varnothing 1/2$					
									14	15	16	17	18	19	20	21		22	23	24
430.040.M		●	250	40 m - $\varnothing 3/8$	590	428	328	350	87	81	62	60	57	42	42	40	38	28	25	9.5 Kg
430.040.X	●		350	40 m - $\varnothing 3/8$	572	415	306	328	87	81	62	60	57	42	42	40	38	28	25	8.8 Kg